

10 9 8 7 6 5 4 3 2 1

F

E

D

C

B

A

F

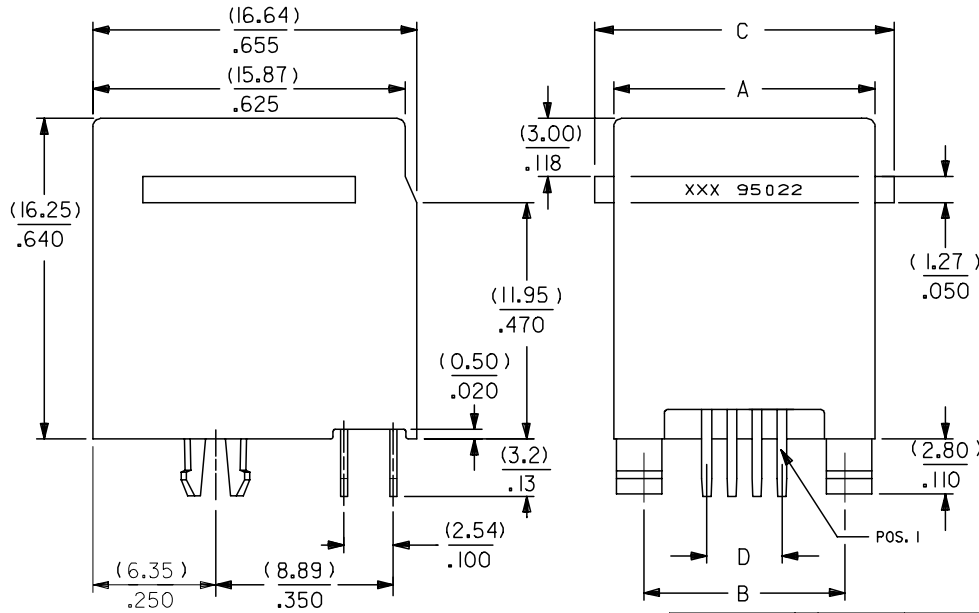
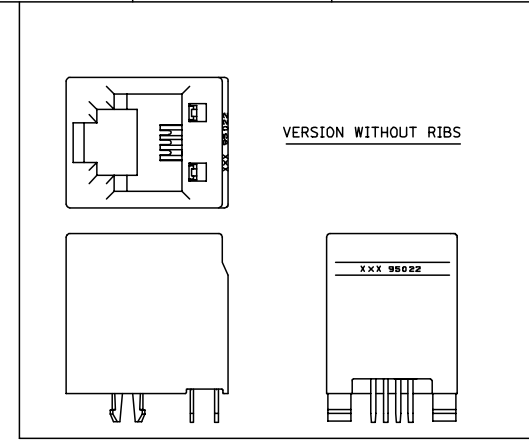
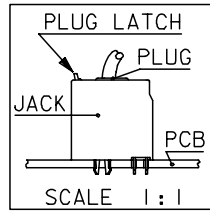
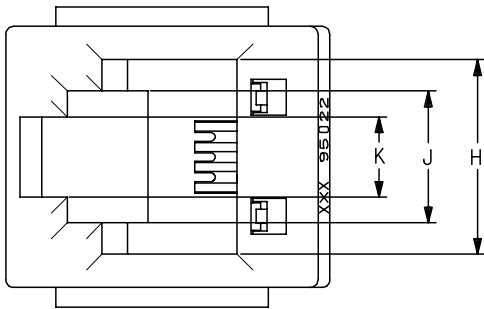
E

D

C

B

A



**NOTES :**

- 1- MATERIAL:
  - HOUSING: LCP FIBER GLASS FILLED 94-V-0  
COLOR BLACK.
  - TERMINAL: BRASS  
FINISH 2  
POST PLATE (0.00127-0.00152)/.000050-.000060  
GOLD IN CONTACT AREA (0.00190)/.000075 MIN.  
PURE TIN IN TAIL AREA BOTH OVER (0.00127)/  
.000050 MIN. NICKEL OVERALL.
- 2- PC BOARD THICKNESS : (1.57) / .062 .
- 3- JACK FOR MATING WITH F.C.C. 68 PLUGS 90075 MOLEX SERIES .
- 4- PRODUCT SPECIFICATION PS-95503-001.
- 5- APPLICATION SPECIFICATION AS-85513-001
- 6- PACKAGING SPECIFICATION PK-95022. (SHT.1 TRAY PACKAGING)  
PK-95022. (SHT.2 TUBE PACKAGING)
- 7- FOR ILLUSTRATION PURPOSES A 4 CIRCUIT IS SHOWN.
- 8- PACKAGING SPECIFICATION RPK-95022-001 (TUBE PACKAGING).
- 9- MANUFACTURING I.D. CAN BE EITHER MG, MXF OR MXI.

CORRECTED NOTES. EC NO: E2007-1050 DRWN:DBYRNES CHKD: APPR:EOMAHONY	2007/06/29	2007/06/29	2007/07/03
	DESCRIPTION		
	REV		

QUALITY SYMBOLS	▽=0
	△=0

GENERAL TOLERANCES (UNLESS SPECIFIED)	MM	INCH
4 PLACES	± .010	± .0004
3 PLACES	± .025	± .0010
2 PLACES	± .050	± .0020
1 PLACE	± .125	± .0050
ANGULAR ± 2 °		
DRAFT WHERE APPLICABLE MUST REMAIN WITHIN DIMENSIONS		

DIMENSION STYLE		SCALE	DESIGN UNITS	THIRD ANGLE PROJECTION
MM/IN		4:1	METRIC	
DRAWN BY	DATE	TITLE		
KNOLLER	04/08/27	HIGH PROFILE TOP ENTRY JACK		
CHECKED BY	DATE			
FCARABET	04/08/30			
APPROVED BY	DATE			
KNOLLER	04/08/30	MOLEX INCORPORATED		
MATERIAL NO.	SEE CHART SHT. 2	DOCUMENT NO.	SHEET NO.	
		SD-95522-001	1 OF 3	
SIZE	THIS DRAWING CONTAINS INFORMATION THAT IS PROPRIETARY TO MOLEX INCORPORATED AND SHOULD NOT BE USED WITHOUT WRITTEN PERMISSION			
A3				

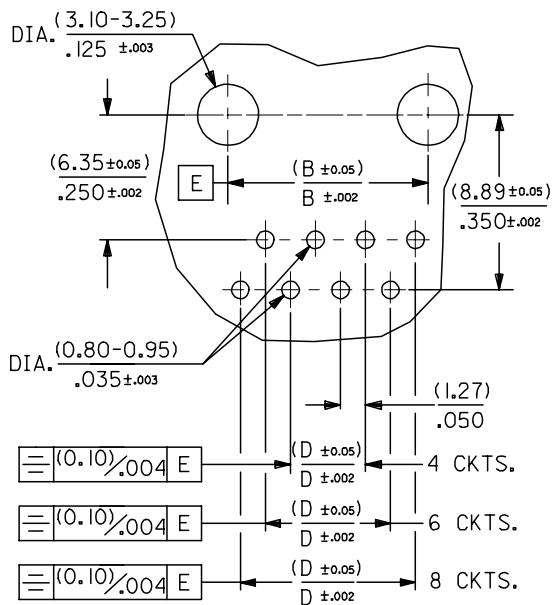
9 8 7 6 5 4 3 2 1

PART NUMBERS FOR JACK WITH RIBS

TYPE	PACKAGING	POS. 4	POS. 6	POS. 6	POS. 8
		4 CKTS.	4 CKTS.	6 CKTS.	8 CKTS.
PLAT'G	TRAY	95522-2447	95522-2647	95522-2667	95522-2887
FINISH 2	TUBE			95522-2617 SEE NOTE 8 SH.1	

PART NUMBERS FOR JACK WITHOUT RIBS

TYPE	PACKAGING	POS. 4	POS. 6	POS. 6	POS. 8
		4 CKTS.	4 CKTS.	6 CKTS.	8 CKTS.
PLAT'G	TRAY	95522-2441	95522-2641	95522-2661	95522-2881
FINISH 2	TUBE				



MOUNTING HOLE PATTERNS  
(SEE FROM COMPONENT SIDE)

DIM.	TYPE	POS. 4	POS. 6		POS. 8
		4 CKTS.	4 CKTS.	6 CKTS.	8 CKTS.
A		(11.18) / .440	(13.21) / .520	(13.21) / .520	(15.24) / .600
B		(7.62) / .300	(10.16) / .400	(10.16) / .400	(11.43) / .450
C	(WITH RIBS)	(14.00) / .551	(16.00) / .630	(16.00) / .630	(18.00) / .709
D		(3.81) / .150	(3.81) / .150	(6.35) / .250	(8.89) / .350
H		(7.82) / .308	(9.88) / .389	(9.88) / .389	(11.94) / .470
J		(5.64) / .222	(6.70) / .264	(6.70) / .264	(6.30) / .248
K		(3.07) / .121	(4.06) / .160	(4.06) / .160	(4.06) / .160

REMOVED PART No'S  
EC NO: E2007-0529  
DRWN:DBYRNES  
CHKD:  
APPR:EDMAHONY

QUALITY SYMBOLS  
▽=0  
∇=0

GENERAL TOLERANCES (UNLESS SPECIFIED)

	mm	INCH
4 PLACES	± .010	± .0004
3 PLACES	± .015	± .0006
2 PLACES	± .025	± .0010
1 PLACE	± .035	± .0014

ANGULAR ± 2 °

DRAFT WHERE APPLICABLE MUST REMAIN WITHIN DIMENSIONS

DIMENSION STYLE  
MM/IN

DRAWN BY	DATE
KNOLLER	04/08/27
CHECKED BY	DATE
FCARABET	04/08/30
APPROVED BY	DATE
KNOLLER	04/08/30

MATERIAL NO.

SEE CHART

SCALE 4:1

DESIGN UNITS METRIC

THIRD ANGLE PROJECTION

TITLE  
HIGH PROFILE TOP ENTRY JACK

MOLEX INCORPORATED

DOCUMENT NO. SD-95522-001

SHEET NO. 2 OF 3

THIS DRAWING CONTAINS INFORMATION THAT IS PROPRIETARY TO MOLEX INCORPORATED AND SHOULD NOT BE USED WITHOUT WRITTEN PERMISSION